

Fan Unit

COOLING FOR COMPUTE BLADE



Fan Units are designed to work seamlessly with up to two Compute Blades each, providing a comprehensive cooling solution even in packed Rack spaces.

The smart fan unit enhances your Compute Blade setup by providing numerous functions, features, and the flexibility to customize the operating logic. It incorporates an additional Raspberry Pi, the RP2040, to expand the capabilities of your system.

Key Features (Smart Fan Unit)



Programmable
Raspberry Pi RP2040



Fan controller
EMC2101



Noctua NF-A4x20 5V
PWM fan



2 temperature sensors



Precise Temperature
Monitoring Unit - EMC2101



2 UARTs for interfacing
with Compute Blades



2 LEDs for Compute Blade
status indication



2 User-Programmable
Digital RGB LEDs



1 User-Programmable LED
to GPIO25



Boot and Reset Buttons



User-Programmable Button



Smart Power MUX chip



Serial Flash Memory
16M-Bit



Integrates within
Compute Blade Enclosures



USB-C Port

Compute Blade Platform Applications



Home labs

An enterprise-level homelab experience that you can use to build, play with, and explore new technologies



Hosting provider

Provide dedicated resources and isolate customer machines on a physical layer, to protect against modern CPU/hypervisor exploits.



Edge servers

Reduce latency and extend compute power to make your processes leaner, more efficient, and more cost-effective.



CI/CD systems and Automated tests

Perform performance tests on dedicated hardware for results far more stable than running tests on virtual machines.



Stateless Computing

Seamlessly deploy specialized stateless computing platforms, such as OpenFaaS, onto the blades to enhance functionality and performance.



High Availability Computing

Deploy robust, high-availability computing to maintain critical operations and services with minimal downtime.



Smart Homes

Make your home server highly available and increase the possibilities e.g by adding more modules like the Uptime AI-Module.



Private Cloud

Create your own secure, scalable private cloud for efficient data management and tailored IT services.

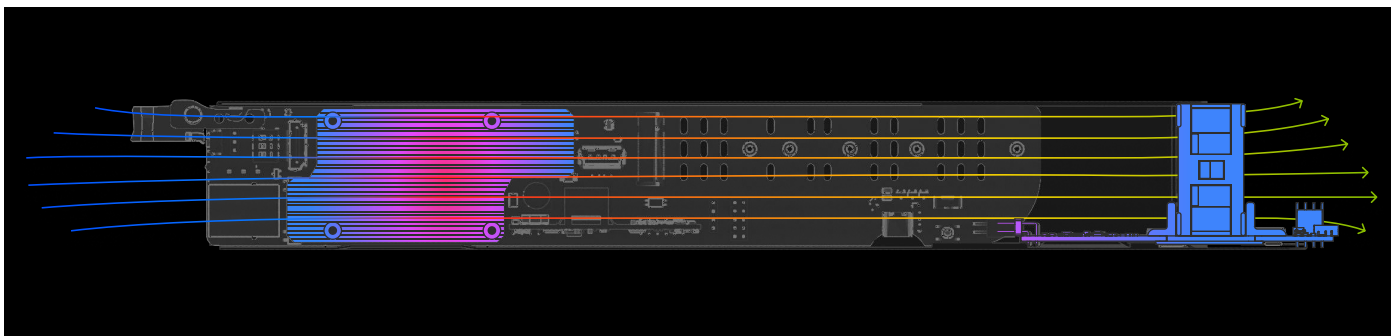


Education

Enhance educational experiences with practical, hands-on tech learning, facilitating innovation and computing skills.

Advanced Cooling for Advanced Computing

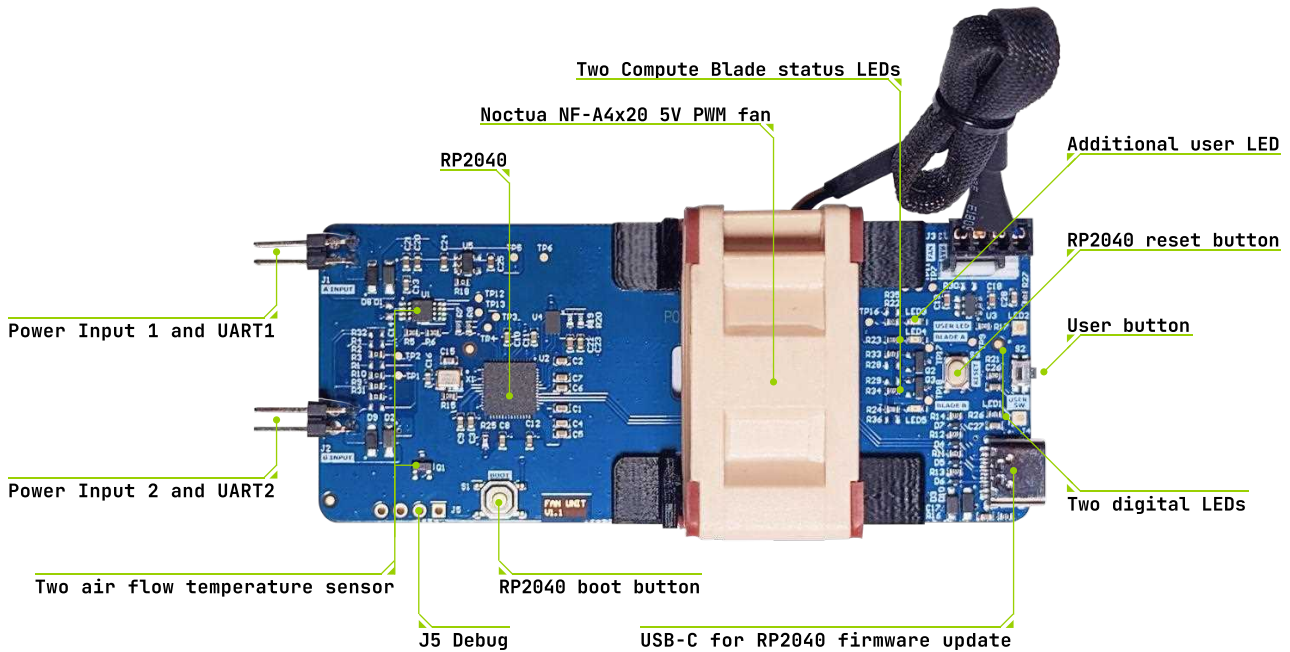
Interacting with your Compute Blades allows you full control over cooling and even adds another layer of possibilities by including the SMART fan unit, which incorporates an MCU, the RP2040, and additional sensors into your cluster.



Unlike conventional blade servers, our system eliminates a single point of failure as it doesn't rely on a server platform. While it still uses a PoE network switch (also necessary for blade servers), switches are simpler to replace or keep as spares compared to entire server platforms.

Individual blades can be rebooted or power-cycled by momentarily disabling their switch port power. Thanks to the CM4's network boot feature, re-provisioning and system rescue are straightforward. Each blade is compact, devoid of moving parts, and can be easily shipped without special handling.

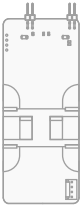
Specifications



Compability	Compute Blade V0.9 RC2, V1.0 mk1, V1.0 mk4-k, V1.0 mk4
	Compute Blade Enclosures
Storage	16M-Bit Serial Flash Memory
Compute Blade Interface	UART - Fan Unit Connector
GPIO	2 x UART (RP2040 - UART0, UART1)
	4-Pin PWM Fan Header
	Boot Button
	User Button
	2 x Digital RGB LEDs (19-C47/RSGHBHC-5V01/2T)
	1x LED to GPIO25
Operating Voltage	5V - Fan Unit Port (provided by Compute Blade)
	5V - USB-Type C Connector
Input Power (max.)	0.5W
Airflow Control Unit	EMC2101
Temperature Monitoring Unit	EMC2101
Fan	PWM Fan, 5V, 40x20mm (Noctua NF-A4x20 5V PWM)
Dimensions	40mm x 95mm x 43.2mm

Versions

STA Fan Unit (Standard)



Simplified variant of the smart fan unit, featuring the same form factor and fan, but without the capability to execute or be controlled by custom applications.

The STA fan unit is powered and controlled directly by the compute blade, without the need for any additional wiring.



Smart Fan Unit

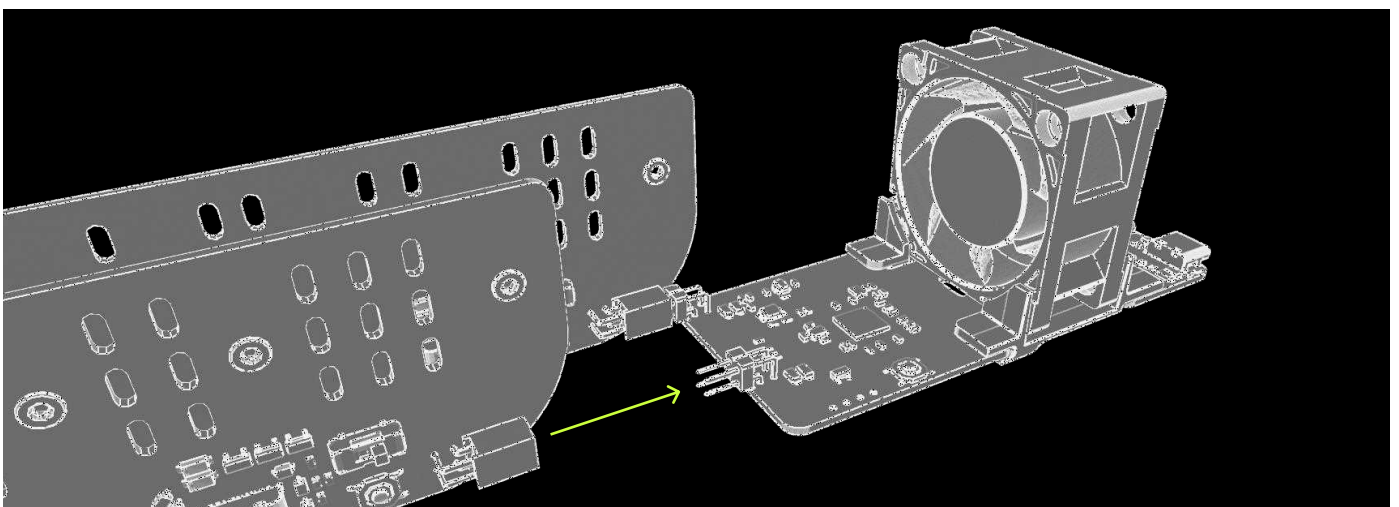
The smart fan unit enhances your Compute Blade setup by providing numerous functions, features, and the flexibility to customize the operating logic.

It incorporates an additional Raspberry Pi, the RP2040, to expand the capabilities of your system.

	Smart Fan Unit	STA Fan Unit
UART Compute Blade Interface	✓	✗
PWM Compute Blade Interface	✗	✓
Fan Unit Connector	✓	✓
PWM Fan	✓	✓
Raspberry Pi RP2040	✓	✗
Reset Button	✓	✗
Boot Button	✓	✗
Programmable Button	✓	✗
Compute Blade Status LEDs	✓	✗
Temperature Sensors	✓	✗

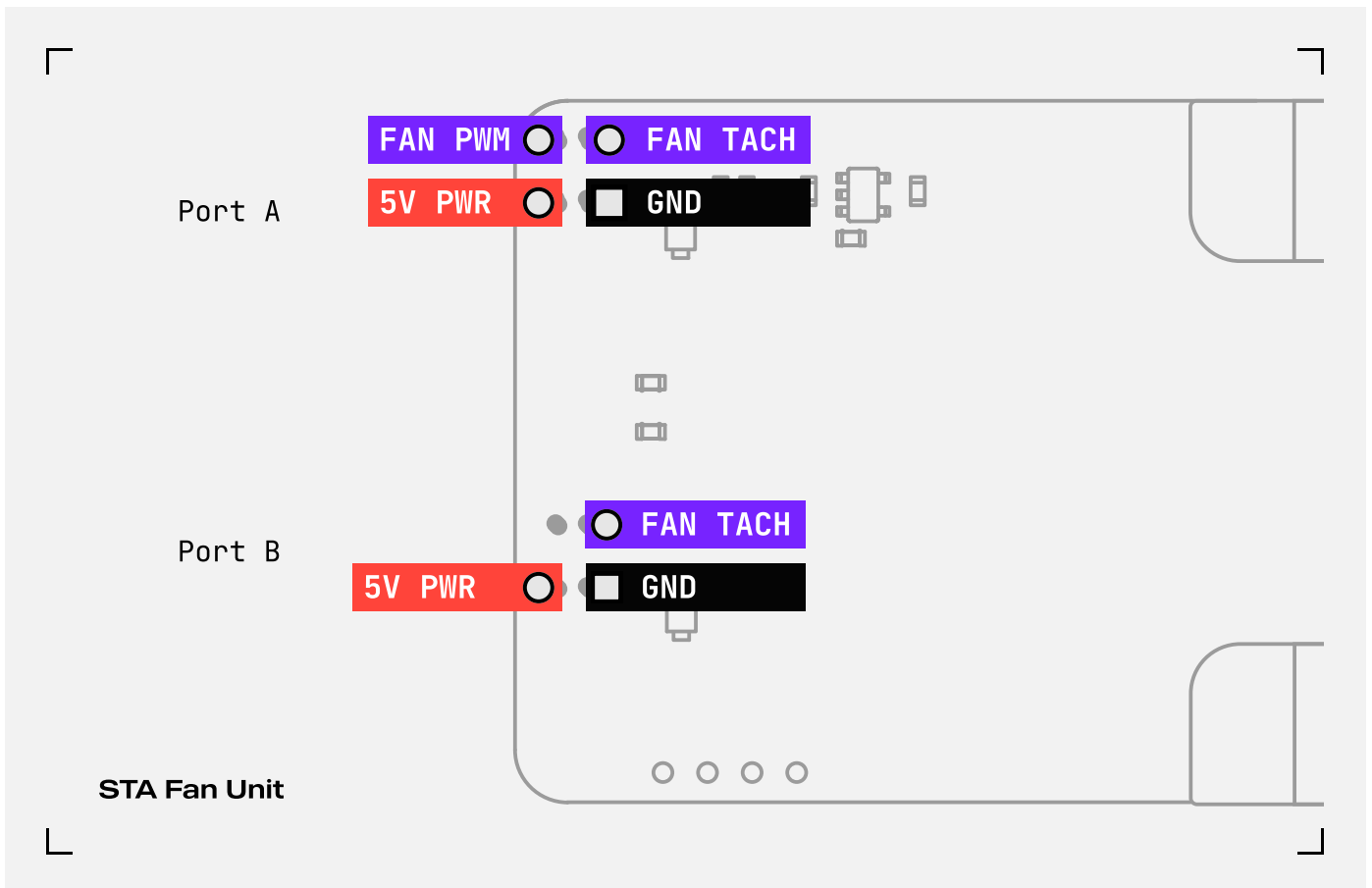
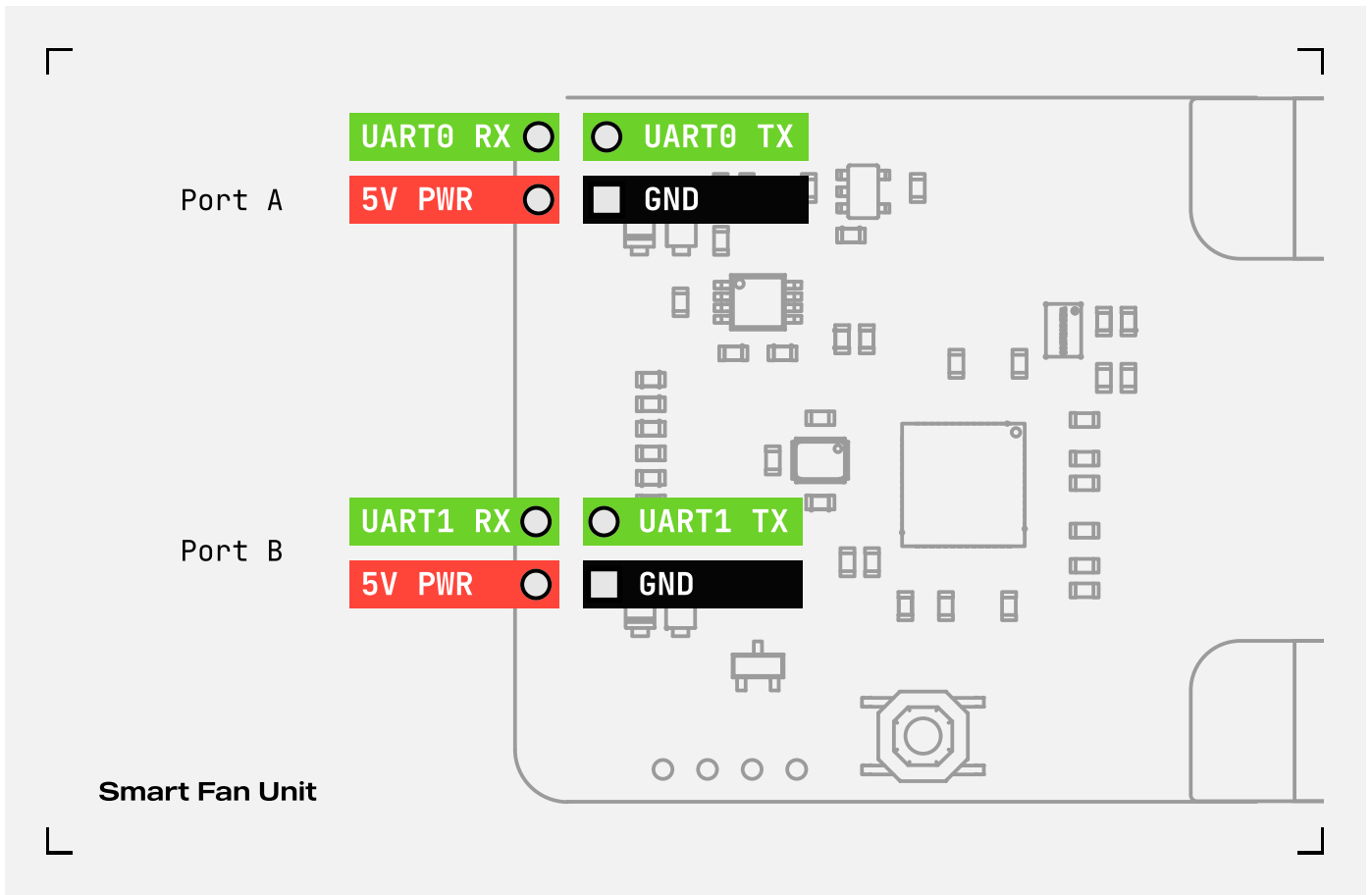
One Fan Unit for two Compute Blades

To interface with the Compute Blades, the smart fan unit utilizes two separate UART interfaces, one for each blade. Furthermore, the smart fan unit is powered directly through the Compute Blade, eliminating the need for any additional wiring.



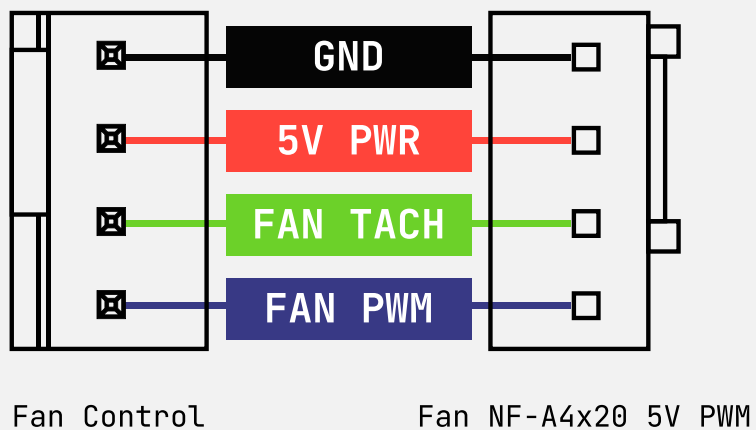
GPIO

In STA version the Port B can read the fan speed.

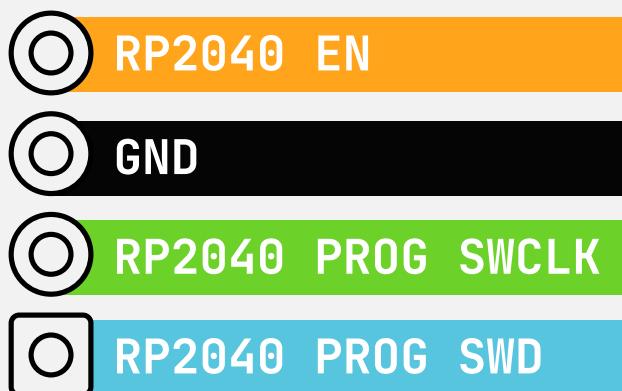


GPIO

In STA version the Port B can read the fan speed.



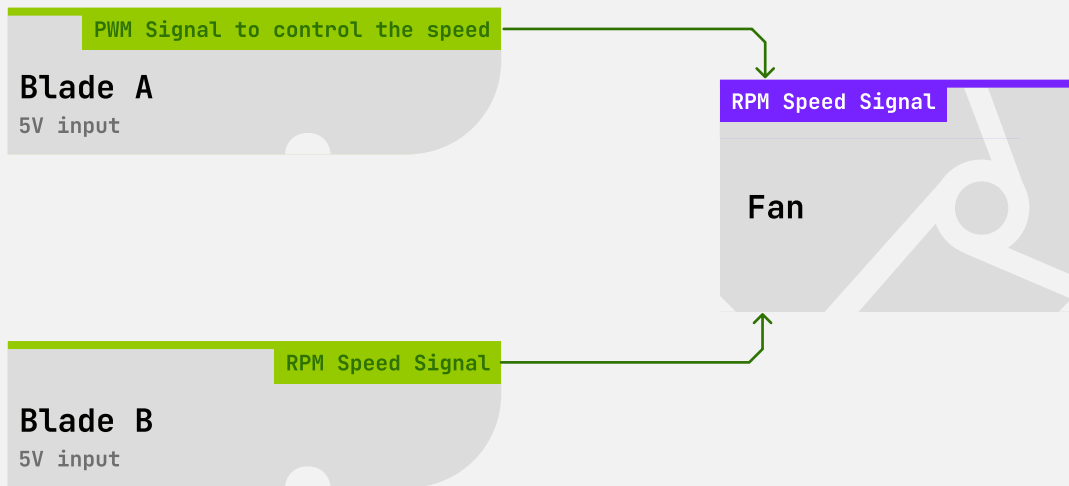
J5 Debug



Block Scheme – STA Fan Unit (Standard)

Dumb Fan Unit

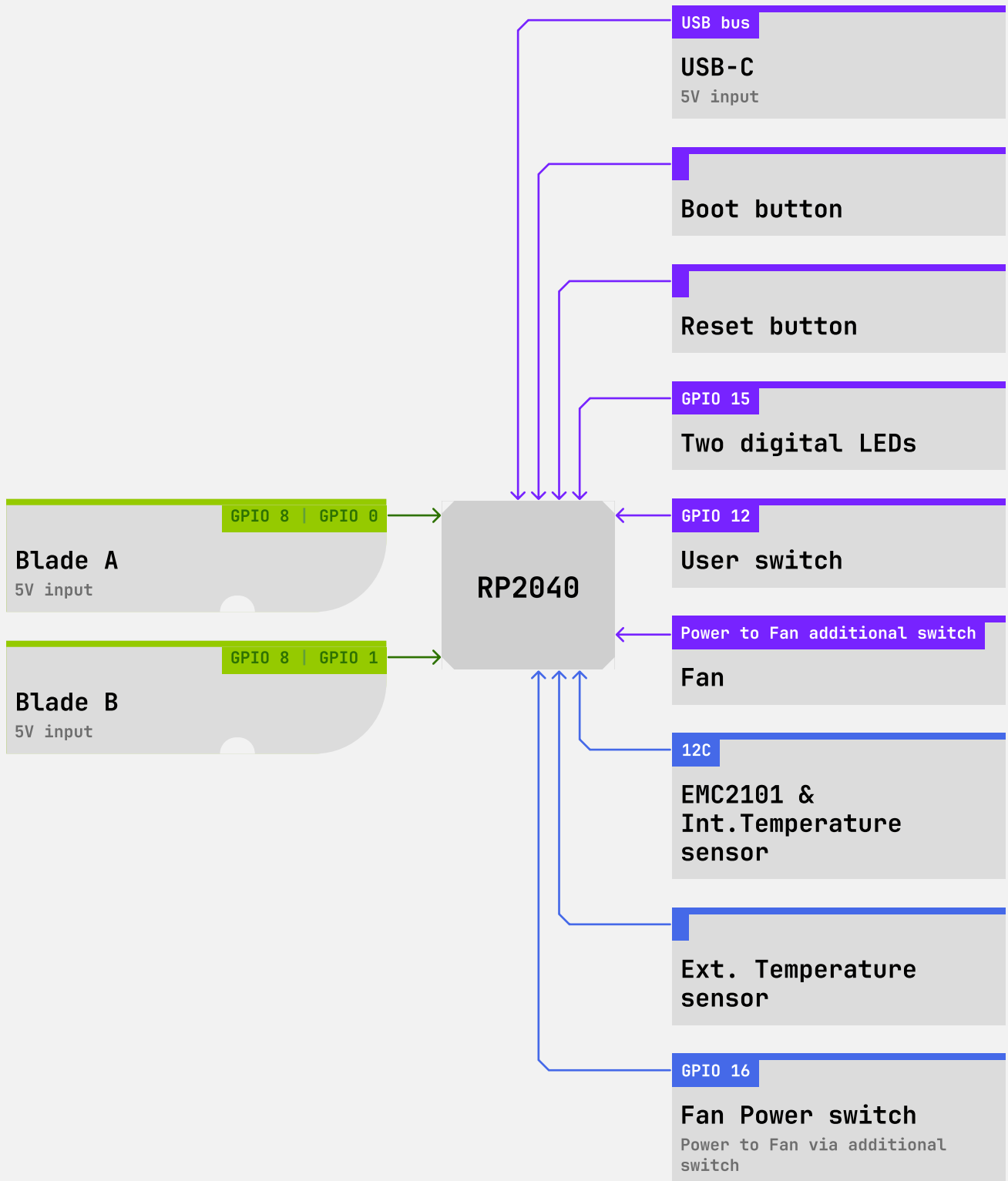
This is the top part of the Raspberry Pi's GPIO connector. On the Compute Blade, PIN 1 corresponds to 3.3V, while on the Raspberry Pi's standard connector, it is labeled as 3.3V PWR.



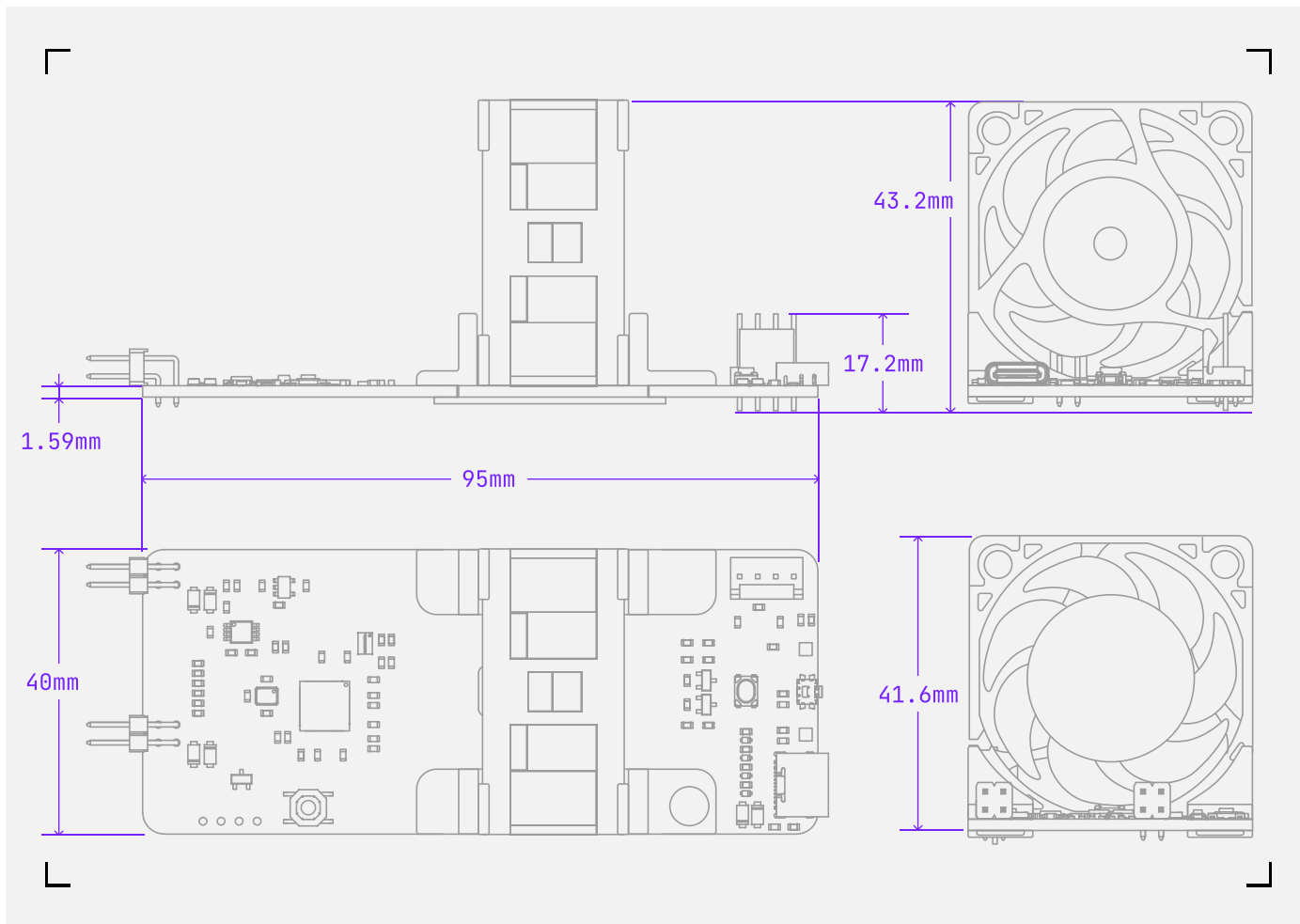
Block Scheme – Smart Fan Unit

Smart Fan Unit

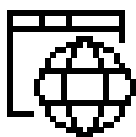
This is the top part of the Raspberry Pi's GPIO connector. On the Compute Blade, PIN 1 corresponds to 3.3V, while on the Raspberry Pi's standard connector, it is labeled as 3.3V PWR.



Mechanical

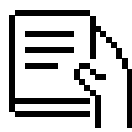


Documentation



DOCUMENTATION

docs.computeblade.com



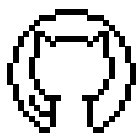
GET STARTED

docs.computeblade.com/getting-started



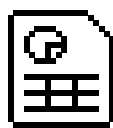
DISCORD

uplab.pro/discord



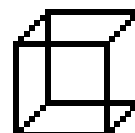
GITHUB

github.com/uptime-industries



DATA SHEETS

<https://docs.computeblade.com/data-sheets>



3D MODELS

docs.computeblade.com/models



© 2024 Uptime Industries Inc. All rights reserved. 'Uptime Industries', 'Compute Blade', and 'BladeRunner' are trademarks or registered trademarks of Uptime Industries Inc. All other company names and product names mentioned are trademarks or registered trademarks of their respective owners and are associated with the respective products. Product features, pricing, availability, and specifications are subject to change without notice.



For more information, visit

www.computeblade.com www.uptime.industries www.uptime.industries/legal